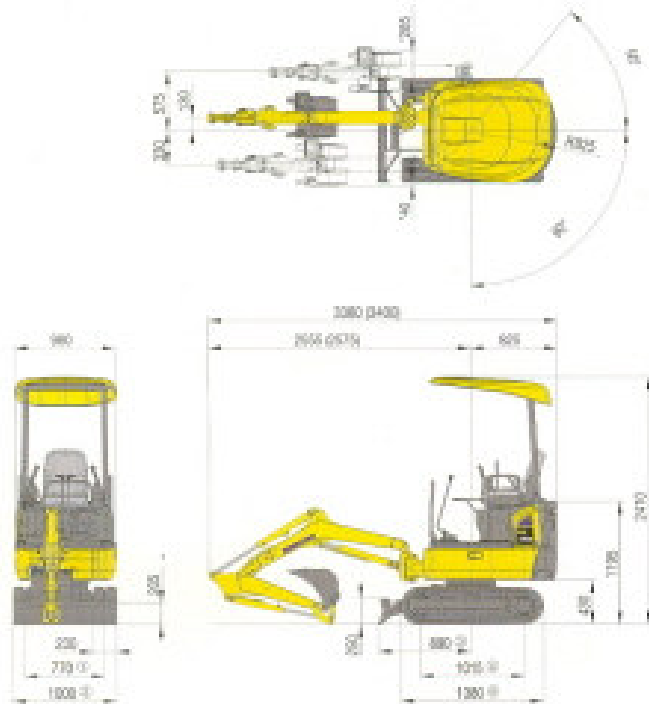


# DIMENSIONS & WORKING RANGE



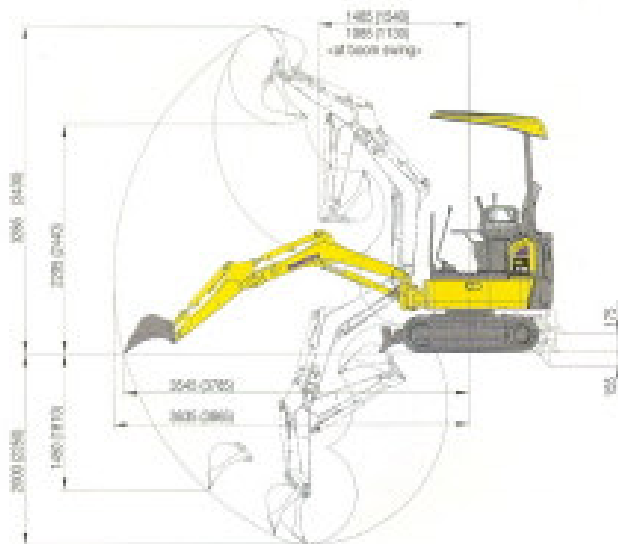
HS version:

- ① 750 + 1070 mm
- ② 980 + 1300 mm
- ③ 1145 mm
- ④ 1212 mm
- ⑤ 1555 mm

BUCKET RANGE			
Width mm	Capacity m³ (ISO7451)	Weight kg	No. of teeth
250	0.03	19	2
300	0.035	20	3
350	0.04	22	3
400	0.05	23	3
450	0.06	25	4

## PC14R-2: Canopy, Rubber Shoes, 350 mm Bucket, Blade Down

A - Distance from machine's center B - Height at bucket pin



Arm length 890 mm						
B \ A	2 m		2.5 m		Max. outreach	
	Front	360°	Front	360°	Front	360°
2 m	(*)225	(*)225	(*)218	200	(*)220	179
1 m	(*)353	267	(*)266	192	(*)221	143
0 m	(*)424	249	(*)299	182	(*)231	147
-1 m	(*)293	253	-	-	(*)227	215

Unit: kg

Arm length 1.130 mm								
B \ A	2 m		2.5 m		3 m		Max. outreach	
	Front	360°	Front	360°	Front	360°	Front	360°
2 m	-	-	(*)170	(*)170	-	-	(*)104	151
1 m	(*)302	266	(*)235	190	(*)201	141	(*)160	123
0 m	(*)413	243	(*)290	177	(*)218	135	(*)200	125
-1 m	(*)341	242	(*)225	177	-	-	(*)206	170

Unit: kg